

# Instructions

Food Cut Up Machine

Model  
**TQ5 /TQ8**



Code	Name	Remark
M	Motor	
KM	Contact	1
FR	Thermistor	1
SB1	Stop Button	
SB2	Start Button	1
HL	Indication light	
SO	Emergency switch	1

CE

Qualification: certification ISO 9001

# Model TQ5 TQ8 FOOD CUT UP MACHINE

## I. Description

The Model TQ8 Food cut up machine is one new type product designed and made by us, suit for cut up meat, vegetable and fruit. It can cut up meat, vegetable and fruit to filling quickly. It is driven through enclosed-gear. The machine is compact in construction, good looking, easy operable, and high in efficiency. It is good looking and safety. All parts in contact with food are made of stainless steel or AL-alloy, all in conformity with hygiene standard. It is an ideal machine for food preparation in hotels, restaurants, institutional kitchens and canteens.

## II. Technical Specifications

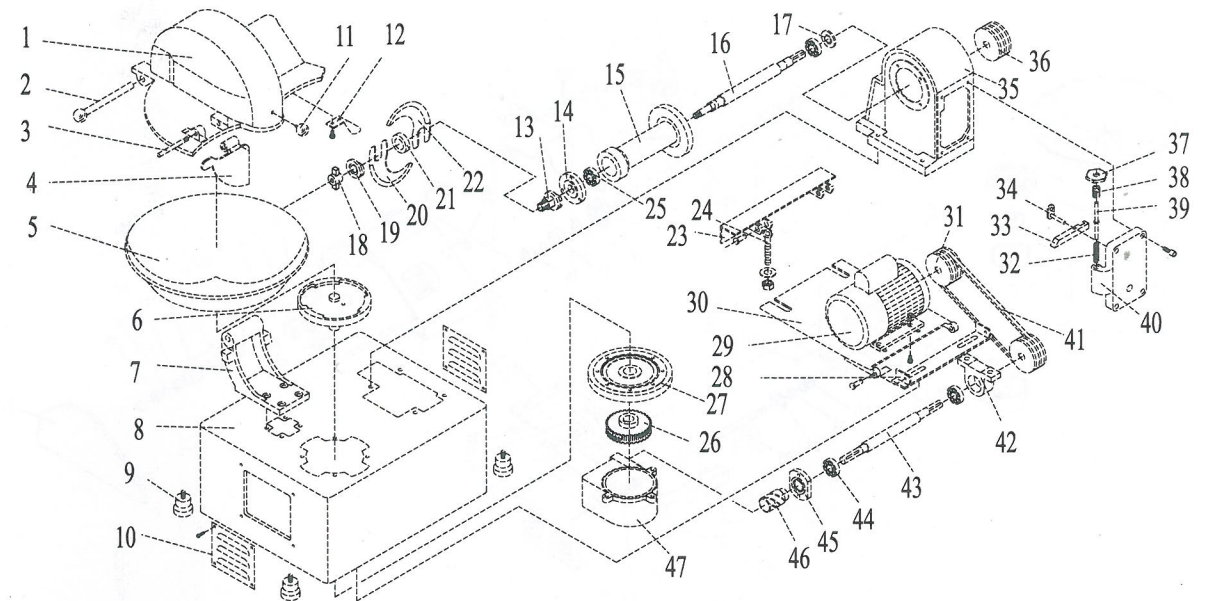
Capability	Voltage	Frequency	Rating input power	Power	IPNO	Dimensions (mm)	Net Weight
5L	~220V	50 Hz	0.6 kW	0.37 kW	IPX1	525x420x550	62 kg
8L	~220V	50 Hz	1kW	0.75 kW	IPX1	800x550x550	90 kg

## III. Operation and maintenance

- 1) Before use, check that power supply corresponds to that required by the machine, and the machine must be earthed.
- 2) Check the fixed nut of blade and tighten it, and close the cover.
- 3) Tighten the slide-board of top cover back end.
- 4) Remove skin and bone from the meat to be minced, and cut them into pieces, suit the feed-size. Feed the pieces in order, keep the work smoothly.
- 5) After used, cut off the electricity supply, discharge the slide-board of top cover back end, and open the cover, then wash blades, as to avoid bacteria growth.

**Attention: It can not be cleaned by water directly.**

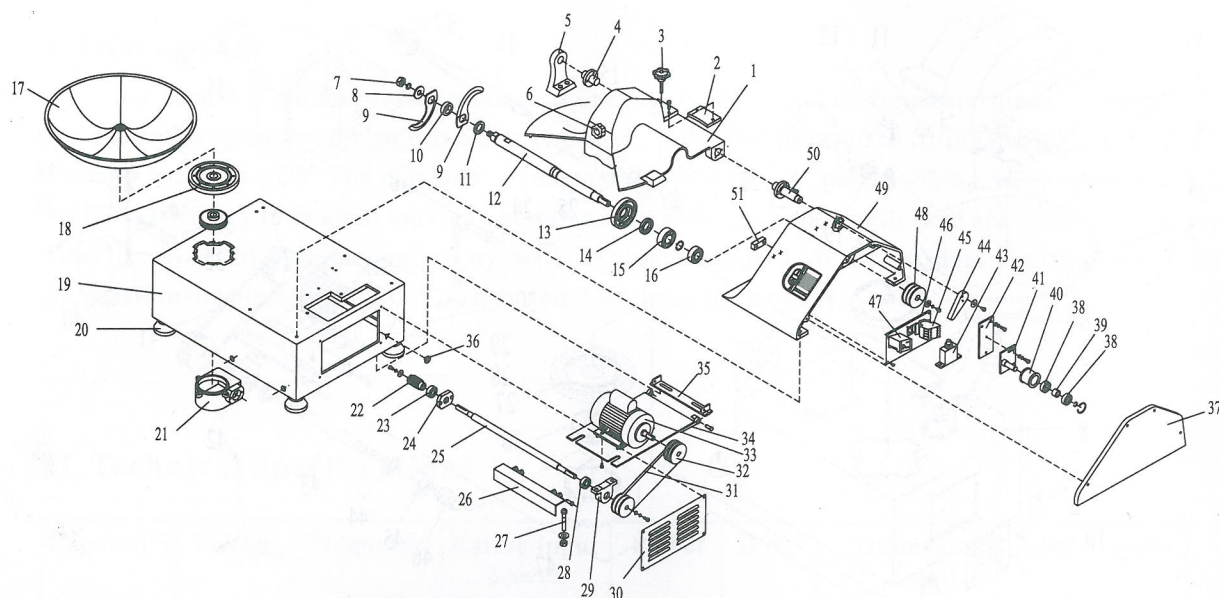
## IV. Machine Illustration



## V. Parts List

Illus.	Part NO.	Name of Part	Qty
1	TQ-5-7	Cover	1
2	TQ-5-5	Cover shaft	1
3	TQ-5-16	Discharge plate shaft	1
4	TQ-5-17	Discharge plate	1
5	TQ-5-6	Bowl	1
6	TQ-5-10	Bowl support	1
7	TQ-5-4	Cover support	1
8	TQ-5-1	Body	1
9	TQ-5-38	Foot	4
10	TQ-5-34	Vent	2
11	TQ-5-9	Cover handle	1
12	TQ-5-8	Scraper	1
13	TQ-5-19-5	Blade seat	1
14	TQ-5-20	Bearing cover	1
15	TQ-5-22	Barrel	1
16	TQ-5-21	Blade shaft	1
17	GB894.1-86	Snap washer?17	1
18	TQ-5-18	Binding nut	1
19	TQ-5-19-1	Nut	1
20	TQ-5-19-2	One-edged knife	1
21	TQ-5-19-3	Insulated ring	1
22	TQ-5-19-4	Double-edged knife	1
23	TQ-5-37	Installing supportII	1
24	TQ-5-3-1	Hinge	4
25	GB276-82	Bearing 203	2
26	TQ-5-12	Worm wheel	1
27	TQ-5-22	Blade barrel	1
28	TQ-5-2	Installing support?	1
29	DWB7124	Motor	1
30	TQ-5-3	Installing panel	1
31	TQ-5-35	Belt wheel of motor	1
32	TQ-5-31	Spring	1
33	TQ-5-26	Press arm	1
34	TQ-5-27	Fork catch	1
35	TQ-5-24	Blade barrel	1
36	TQ-5-23	Belt pulley	2
37	TQ-5-29	Blocking nut	1
38	TQ-5-28	Screw barrel	1
39	TQ-5-30	Steady arm	1
40	TQ-5-25	Control panel	1
41	GB1171-74	VA belt L=750	1
42	TQ-5-32	Bearing seat	1
43	TQ-5-33	Worm drive shaft	1
44	GB276-82	Bearing 202	2
45	TQ-5-36	Bearing cover	1
46	TQ-5-14	Worm	1
47	TQ-5-15	Worm-wheel cover	1

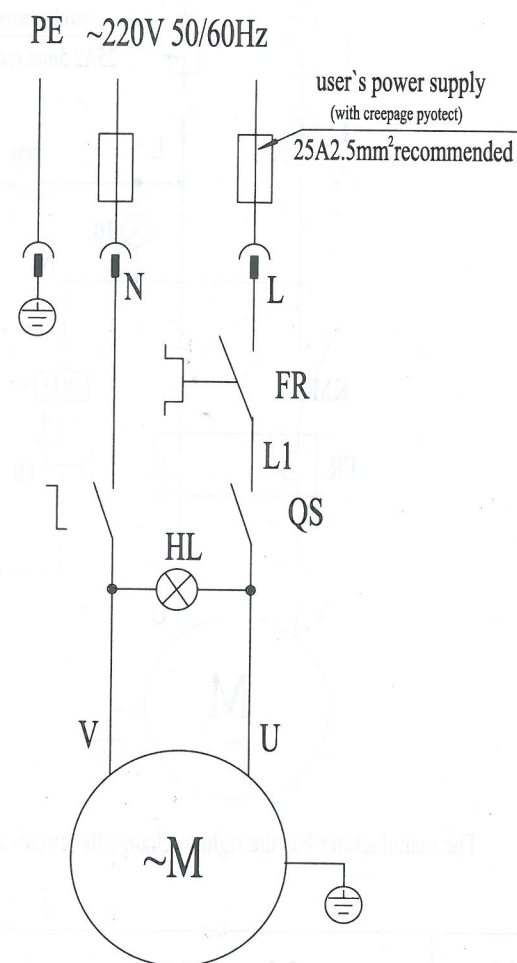
## VI. Machine Illustration



## VII. Parts List

Illus.	Part NO.	Name of Part	Qty
1	TQ-8-05	Food Cover	1
2	TQ-8-03	Pressure board	1
3	TQ-8-32	Handle I	1
4	TQ-8-23	Cover shaft II	1
5	TQ-8-24	Cover Support	1
6	TQ-8-33	Handle II	1
7	GB91-86	Left Screw M16X1.5	1
8	TQ-8-09	Cutter washer	1
9	TQ-8-29	Cutter	2
10	TQ-8-10	Cutter insulated ring	1
11	TQ-8-11	Washer	1
12	TQ-8-12	Blade shaft	1
13	TQ-8-13	Bearing cover	1
14	GB9877.1-88	Oil Seal B32x52x8	1
15	GB278-82	Bearing 6206	1
16	GB278-82	Bearing 6205	1
17	TQ-8-06	Bowl	1
18	TQ-8-07	Bowl support	1
19	TQ-8-01	Body	1
20		Foot	4
21	TQ-5-15	Worm-wheel cover	1
22	TQ-5-14	Worm shaft	1
23	GB276-82	Bearing (#202)	1
24	TQ-5-36	Bearing Cover	1
25	TQ-8-18	Worm drive shaft	1
26	TQ-5-37	InstallingsupportII	1
27	TQ-5-3-1	Shaft ring	4
28	GB278-82	Bearing 6205	1
29	TQ-5-32	Bearing seat	1
30	TQ-8-25	Body cover	1
31		ADV Belt	2
32	TQ-5-23	Motor Pulley wheeld	6 1
33	YC802-4DW	Motor 750W	1
34	TQ-5-3	Installing panel	1
35	TQ-5-2	Installingsupport ?	1
36	GB862.2-87	Lock	1
37	TQ-8-16	Back panel	1
38	GB278-82	Bearing 6206	2
39	QS620-27	Sleeve	1
40	QS620-26	Tension pulley	1
41	QS620-28-2	Tension seat	1
42	TQ-8-31	Tension pulley support	1
43		Safety switch	1
44	TQ-8-20	Safety switch panel	1
45		contator	1
46	TQ-8-30	Protection fixed plate	1
47		Heat Relay	1
48	TQ-8-15	Belt pulley	2
49	TQ-8-05	Food cover	1
50	TQ-8-22	Cover shaft I	1
51	TQ-8-28	Cover fixed panel	1

## Electrical Diagram of TQ-5 Food Cut Up Machine

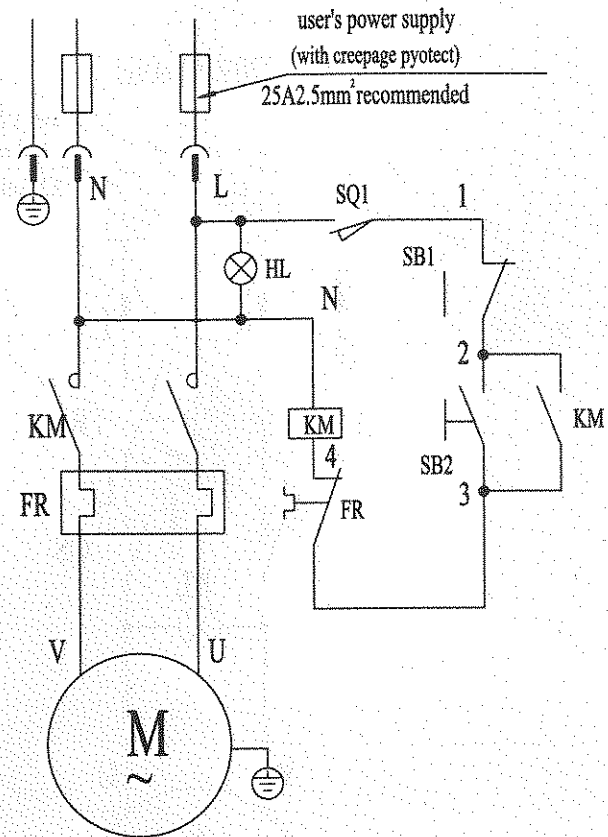


The manufacturer has the right to change the circuit without notice.

Code	Name	Q'ty	Remark
M	Moter	1	
FR	Moter Electrical Current Byeaker	1	
QS	Toggle Switch	1	
HL	Lamp	1	

# Electrical Diagram of TQ-8 Food Cut Up Machine

PE ~110/220/240V50/60Hz



The manufacturer has the right to change the circuit without notice.

Code	Name	Q'ty	Remark
M	Motor	1	
KM	Contactor	1	
FR	Thermorelay	1	
SB1	Stop Button	1	
SB2	Start Button		
HL	Indication light		
SQ	Journey switch	1	